

EXE
RISE

500 kg
1000 kg

VARIABLE SPEED

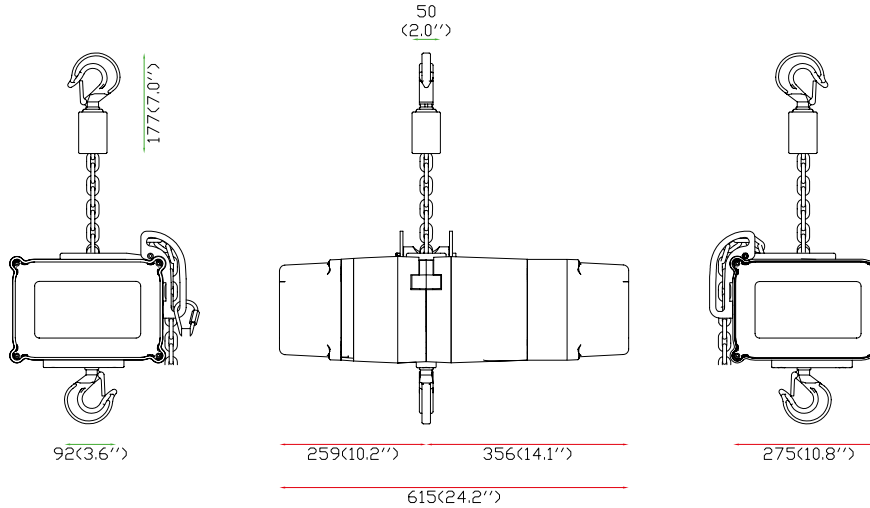
TSA

VARIABLE SPEED 500 kg & 1000 kg
Chain Hoist



EXE-Vario is variable speed chain hoist converted for use with the Raynok Control System and can achieve 450mm/s for the 500kg Version.

VARIABLE SPEED



mm (inches) : the values are reported in millimeters and inches.

Model	VARIABLE SPEED
Working Load Limit (WLL)	500kg/1102lbs
Lifting Speed	From 0 m/min / 0ft/min To 20m/min / 66ft/min @50Hz
Working Load Limit (WLL)	1000kg/2205lbs
Lifting Speed	From 0 m/min / 0ft/min To 10m/min / 33ft/min @50Hz

Motor Power	2.2kW
Operating Voltage Δ/Y	400VAC - 3 - 50Hz
3 ph Y 400VAC	≈ 6.0 A
Type of Control	Direct Control
Revolutions Per Minute	2800
Falls of Chain	1
Load Wheel	5 pockets
Protection Class	IP55 DIN 40050
Noise Level	67.5 db @ full load
DC Brake System	2
DC Brake Size	10
DC Brake Power	30W
DC Brake Operating Voltage	205VDC
DC Brake Rated Torque	16N·m
DC Brake Rated Torque Reduction at the speed specification x %	76% (3000 r/min)
Clutch Characteristics	Clutch is a friction based force-limiter. Clutch is outside the line of kinetic movement.
Limit Switch	4 position
Encoder	Incremental
Self-Weight	≈ 49.0kg
Please contact EXE-Technology for more detailed information.	

CHAIN SPECIFICATIONS

Size	8x24mm
Safety Factor	> 1:8
Self-Weight	1.39kg/m
Material	Zinc Galvanized Steel grade 80 (DIN EN 818-7)