

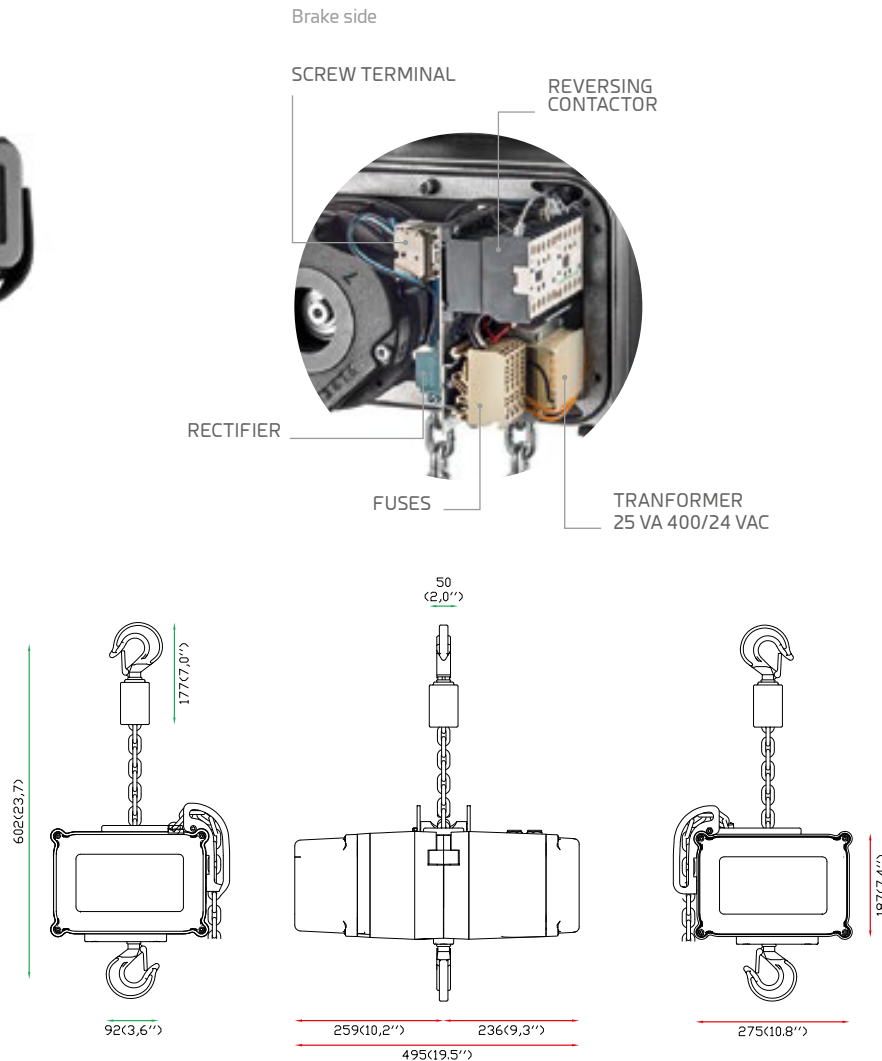
EX3
RISE

1000 kg
□ D8+ DOUBLE BRAKE

LOW VOLTAGE CONTROL

TSA

□ D8+ 1000kg. LVC Chain Hoist



mm (inches) : the values are reported in millimeters and inches.

Model	D8+ 1000kg DC/LVC
Working Load Limit (WLL)	1000kg/2205lbs
Lifting Speed	4m/min / 13ft/min @50Hz
Motor Power	1.0kW
Operating Voltage Δ/Y	230/400VAC - 3 - 50Hz
3 ph Δ 230VAC – Y 400VAC	Δ 4.62 A – Y 2.67 A
Type of Control	Low Voltage Control
Revolutions Per Minute	1400
Falls of Chain	1
Load Wheel	5 pockets
Protection Class	IP55
FEM Classification	2m
Duty Factor of Motor	40%
Starts Per Hour	240
Connection Cable Length	1m /3.3ft
Δ Power Supply / ControlConnector	Harting 6
Noise Level	67.5 db @ full load
DC Brake System	2
DC Brake Size	08
DC Brake Power	25W
DC Brake Operating Voltage	103VDC
DC Brake Rated Torque	8N.m / 5.90 ft-lbs
DC Brake Rated Torque Reduction at the speed specification x %	85% (1500 r/min)
Clutch Characteristics	Clutch is a friction based force-limiter. Clutch is outside the line of kinetic movement.
Limit Switch	2 position (4 on Request)
Self-Weight	≈ 45.0kg / 99lbs

CHAIN SPECIFICATIONS

Size	8x24mm
Safety Factor	8:1
Self-Weight	1.39kg/m / 0.93lbs/ft
Material	Zinc Galvanized Steel grade 80 (DIN EN 818-7)